

GOEDHART PRODUCT CATALOGUE 2020.01

Company :
Project :
Pos. :
Quantity :

Date 11-6-2021

Single discharge blow through Goedhart FR38S-42307

Selection data

Capacity	kW	3,6	Refrigerant	R-404A DX
Air volume	m³/h	2875	Evaporation temperature	°C -8,0
Air temperature In	°C	0,0 (80,0%)	Liquid temperature	°C 30,0
Air temperature Out	°C	-2,6 (87,7%)		
Frost Layer	mm	0,20		

Technical data

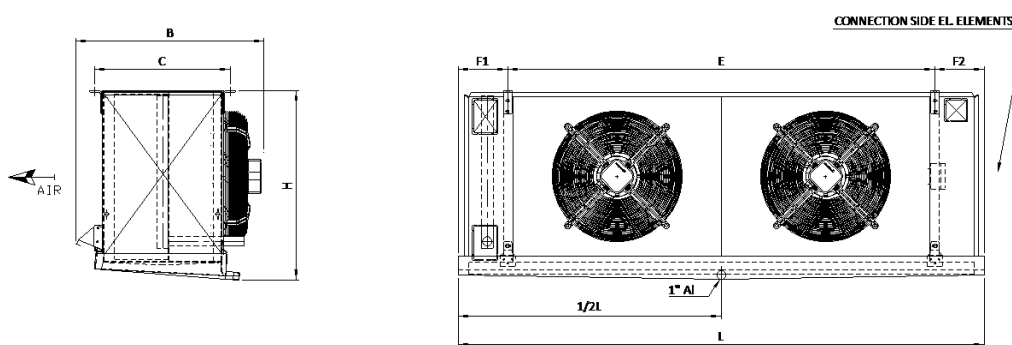
Fin spacing	mm	7,0	Coil material	StSt / Al-GOLDLACK
Surface Area	m²	13	Casing material	galvanized
Volume	dm³	4,2	Finish	White
Weight (empty) without options	kg	55	Sound pressure level - distance	dB(A)-m 45,5 @ 3,0
Liquid/Suction line	mm	1 x 21,3 / 15,88	Air throw	m 8,7
Connection side (in direction of airflow)		Left	Energy label	D

Fan(s) (Data each fan)

Number of fans		2	ErP Compliance	2015
Fan diameter	mm	300 [ZA]	Voltage - Phase - Frequency	V-#-Hz 230 -1- 50
Fan speed	rpm	1290 [4p (E)] - N	Protection class	IP44
Power input	kW	0,09	Sound power level (LwA)	dB(A) 64
Nominal motor current	A	0,39 [+20 °C]		

Dimensions without options (approx.) Subject to modification!

L -	1210 mm	E -	926 mm	E3 -	mm	F1 -	142 mm
B -	495 mm	E1 -	mm	E4 -	mm	F2 -	142 mm
H -	466 mm	E2 -	mm	C -	400 mm		



* The sound pressure level is calculated in accordance with EN13487 [+2 dB(A)], free field condition without reflection. Practical values can deviate due to site conditions. The sound pressure levels, weights and dimensions indicated are valid for air coolers without additional options.
** Capacities and air volume are based on a standard material execution without mounted accessories.